



## Sensor Head Cables for KnowzNet™

### DESCRIPTION

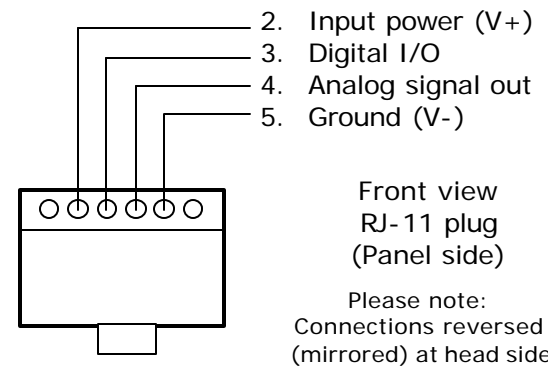
KNET-CABLE-*nnn* is a series of data/power cables suitable for connecting sensor heads to Neodym's KnowzNet™ Networked Monitoring System.

The cables are composed of RJ-11 modular plugs and station wire. Various standard cable lengths are available and lengths are specified via the “*nnn*” suffix (feet).



### Standard Lengths

DESCRIPTION	PART NUMBER
5' (1m) KnowzNet™ cable	KNET - CABLE-005
15' (3m) KnowzNet™ cable	KNET - CABLE-015
25' (5m) KnowzNet™ cable	KNET - CABLE-025
50' (10m) KnowzNet™ cable	KNET - CABLE-050
100' (30m) KnowzNet™ cable	KNET - CABLE-100
150' (50m) KnowzNet™ cable	KNET - CABLE-150
200' (65m) KnowzNet™ cable	KNET - CABLE-200
300' (100m) KnowzNet™ cable	KNET - CABLE-300



### Specifications

PARAMETER	SPECIFICATION	NOTES
Operating Voltage	12VDC	Power provided by KnowzNet™ panel
Operating Current	0.2A	Current limited by panel to 1.2A max.
Voltage Rating	150VAC Max.	
Current Rating	1.5A Max.	At 25 °C
Dielectric Withstanding	1000 VAC	RMS at 60Hz
Plug type	RJ-11 (6-4)	Six position – four conductor RJ-11 modular
Plug Contact Material	Gold/Phosphor Bronze	
Plug Housing Material	Polyester	Flame retardant
Cable Wire Gauge	24/4 AWG	
Conductor Strand	Solid	
Nom. Insulation Thickness	0.007" (0.17mm)	
Nom. Jacket Thickness	0.020" (0.50mm)	
Nominal cable O.D.	0.124" (3.14mm)	
Cable DC Resistance	26 Ohms Max.	Ohms/1000' at 20 °C
Nom. Cable Capacitance	17pF/foot	At 1KHz
Cable Impedance	65 Ohms	+/- 15%
Weight per 1000 feet	11lbs (5Kg)	
Applicable Standards	UL1863	